

PUMP STATION

SIMPLEX

PHYSICAL CHARACTERISTICS

TYPE	Single - line pump station with circulation pump
SIZE	229 x 549 x 180 mm
MATERIAL	Fittings (brass), Sealings (viton / teflon), Insulation (EPP)
RANGE OF TEMPERATURE	+120° C (+180° C short term)

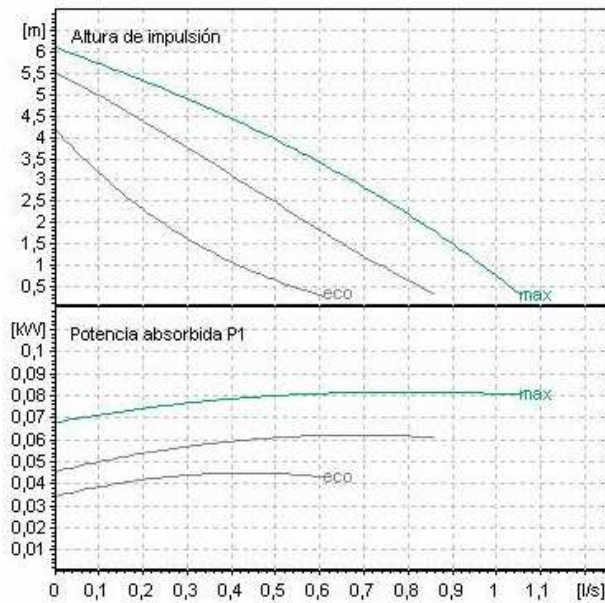
TECHNICAL CHARACTERISTICS

SECURITY	Solar security valve 6 bars and manometer
CIRCULATING PUMP (TO SELECT)	WILO Star ST20/6 WILO Star ST20/7
MAXIMUM WORKING PRESSURE	8 bar
SOLAR NON RETURN VALVE	PPS material Maximum temperature 180° C
BALL VALVE	1 pcs.
CONNECTION	Compression fittings 3/4", 22 mm
CONNECTION EXPANSION TANK	Flexible tube with wall mounting
DRAINING TUBE	Yes
MOUNTING ACCESSORIES	Included
FLOWMETER	1 ... 13 l/min
POWER SUPPLY	210 ... 250 V
SOLAR CONTROLLER	ISOCONTROL / ISOCONTROL PLUS
MOUNTING	Wall



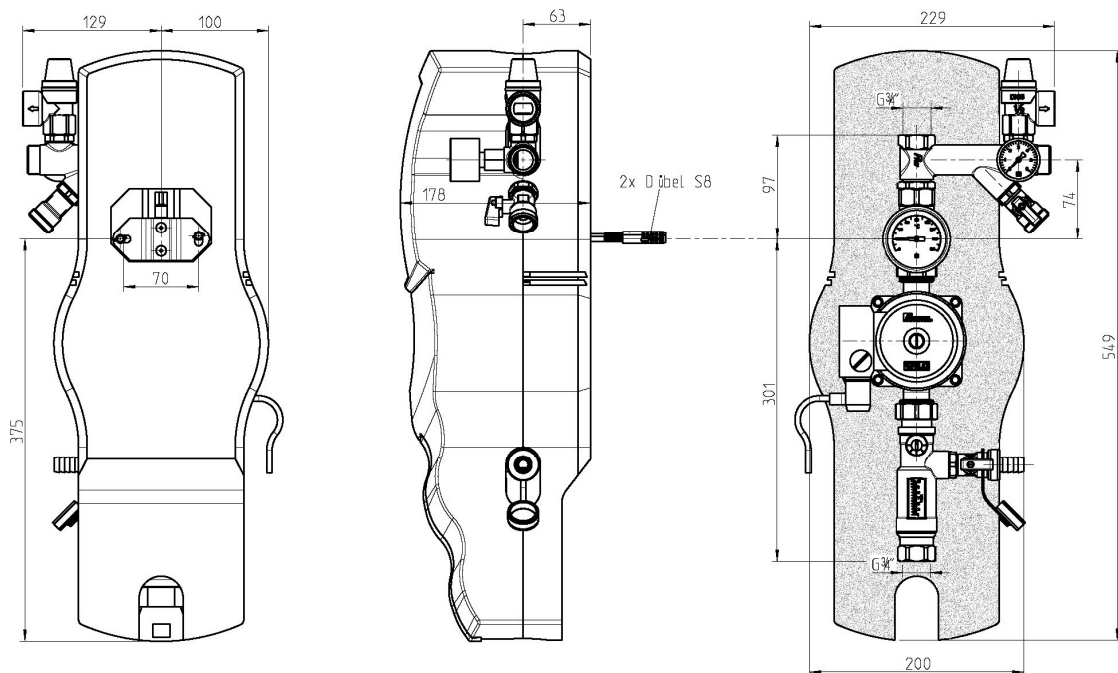
PUMP STATION

Prevalence



Absorption rate

SIZE



REMARKS

- Accessories: flexible tube with wall mounting for the expansion ball (connection 3/4"); draining tube for the security valve.
- Guarantee: 2 years.
- All specifications are subject to change without prior notice. For further details, please visit www.isofoton.com