

PUMP STATION DUPLEX

PHYSICAL CHARACTERISTICS

TYPE	Two - line pump station with circulation pump
SIZE	294 x 526 x 178 mm
MATERIAL	Fittings (brass), sealings (viton / teflon), insulation (EPP)
RANGE OF TEMPERATURE	+110° C (+180° C short term)

TECHNICAL CHARACTERISTICS

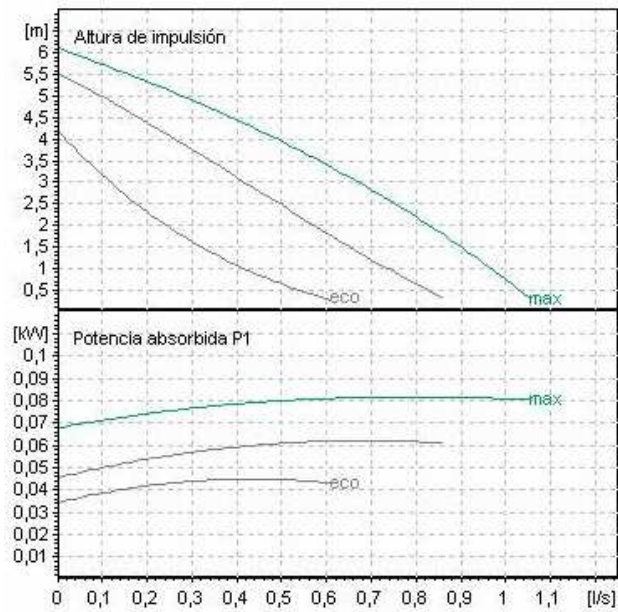
SECURITY	Solar security valve 6 bars and manometer
CIRCULATING PUMP (TO SELECT)	WILO Star ST20/6 WILO Star ST20/7
MAXIMUM WORKING PRESSURE	10 bar
THERMOMETER	Pointer thermometers for feed flow and return flow
VALVE FOR FILLING AND DRAINING	Yes
SOLAR NON RETURN VALVE	PPS material Maximum temperature 180° C Disconnectable
BALL VALVE	2 pcs.
CONNECTION	Compression fitting 3/4", 22 mm
CONNECTION EXPANSION TANK	Flexible tube with wall mounting
DRAINING TUBE	Yes
MOUNTING ACCESSORIES	Included
FLOWMETER	1 ... 13 l/min
POWER SUPPLY	210 ... 250 V
SOLAR CONTROLLER	ISOCONTROL / ISOCONTROL PLUS
MOUNTING	Wall



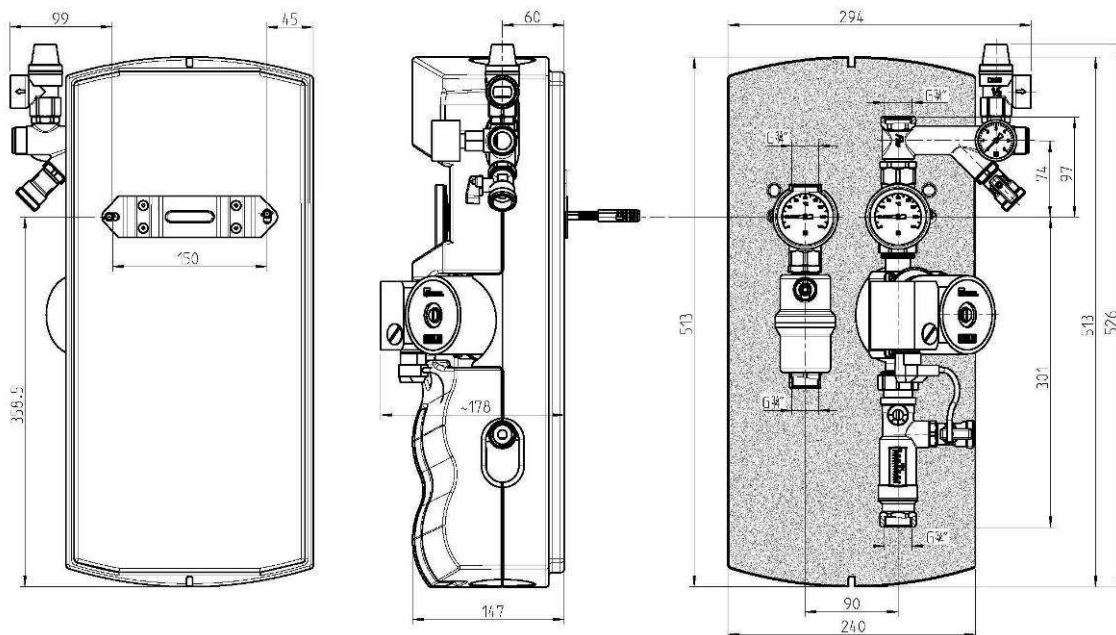
PUMP STATION

Prevalence

Absorption rate



SIZE



REMARKS

- Accessories: flexible tube with wall mounting for the expansion tank (connection 3/4"); draining tube for the security valve.
- Guarantee: 2 years.
- All specifications are subject to change without prior notice. For further details, please visit www.isofoton.com