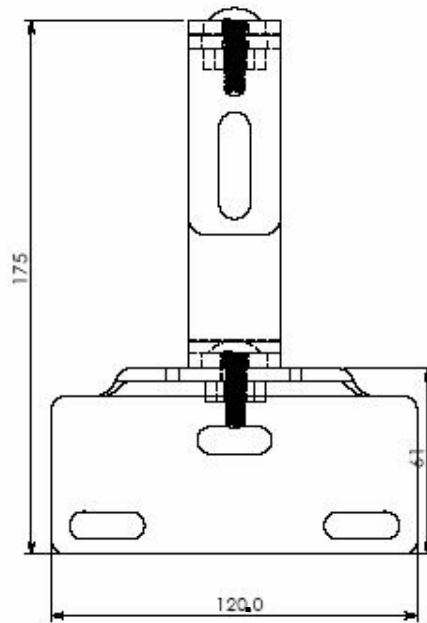




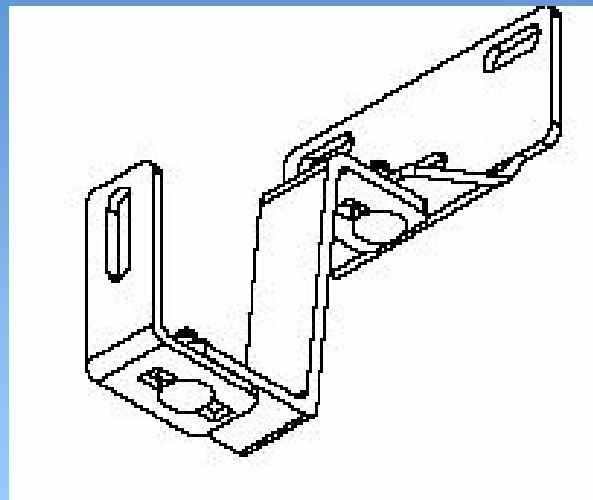
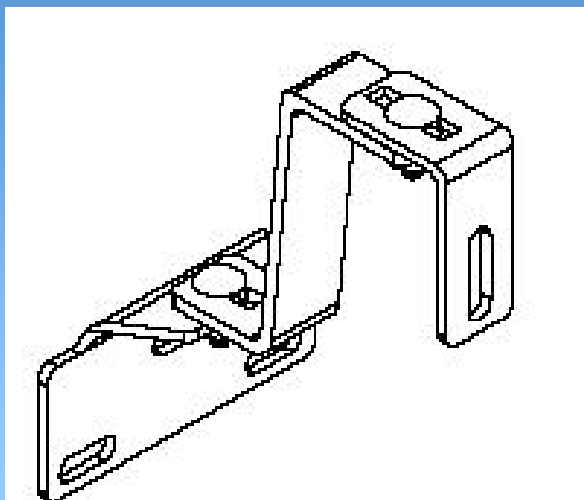
FACTORY: PARQUE TECNOLÓGICO ANDALUCIA (PTA) C/ Severo Ochoa, 50. 29590 Málaga (Spain) Tel: +34 951 23 35 00 Email: isofoton.m@isofoton.com
CENTRAL OFFICE: ISOFOTÓN C/ Montalbán, 9. 28014 Madrid (Spain) Tel: +34 91 414 78 00 Fax: +34 91 414 79 00 Email: isofoton@isofoton.com

HOOK FOR PITCHED ROOFS

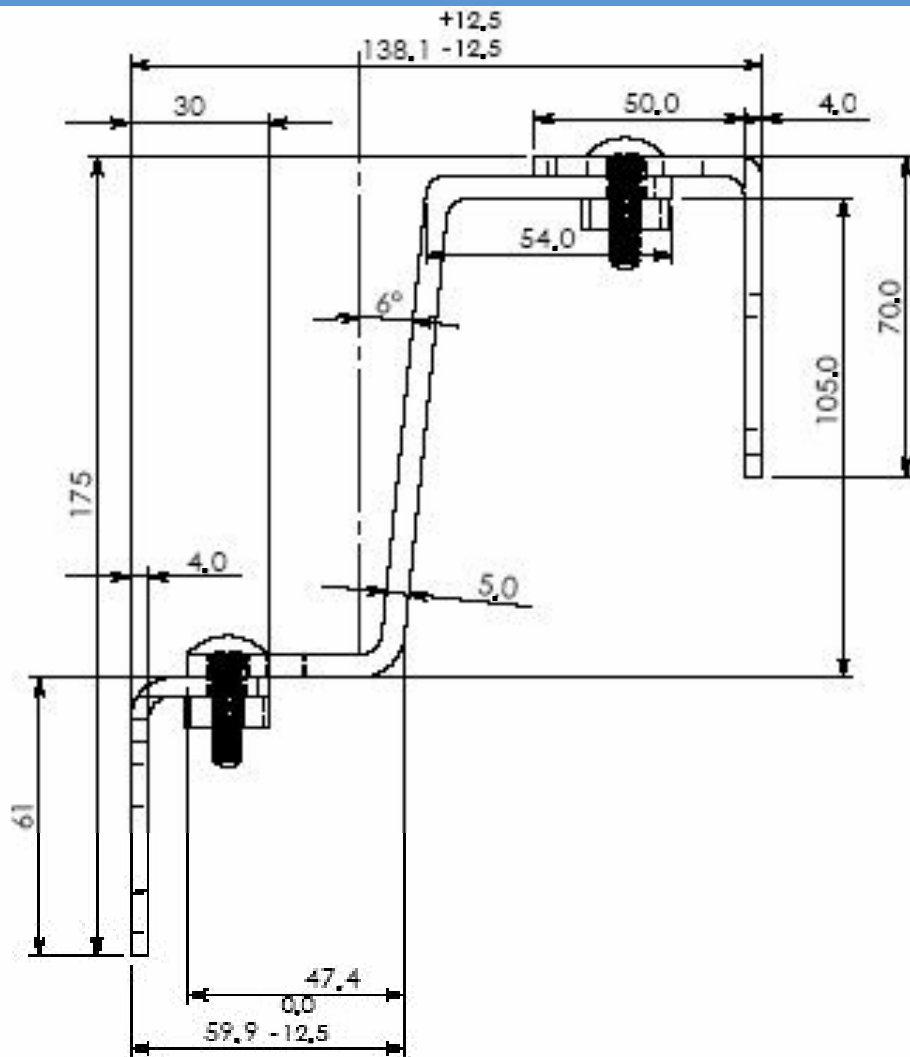
THE THREE PARTS OF THE ROOF HOOK ARE MADE OF STAINLESS STEEL



ADJUSTABLE JOINT FOR THE THREE PARTS OF THE ROOF HOOK WITH STAINLESS STEEL SCREWS



SIDE VIEW



CHARACTERISTICS

NAME	Hook for pitched roofs
MATERIAL	Stainless steel
PACKAGED	10 units boxes
USE	Complement for the installation of solar thermal collectors above pitched roof structures for superposition configuration

REMARKS

- Guarantee of the whole system 10 years.
- All specifications are subject to change without prior notice. For further details, please visit www.isofoton.com