

**CONTROLLER**

**ISOCONTROL TOP**

**PHYSICAL CHARACTERISTICS**

<b>TYPE</b>	System controller for larger complex solar systems
<b>RELAY INPUT / OUTPUT</b>	15 / 9
<b>HOUSING</b>	PC-ABS and PMMA
<b>PROTECTION CLASS</b>	IP 20 (DIN 40050)
<b>AMBIENT TEMPERATURE</b>	0 – 40° C
<b>SIZE</b>	260 x 216 x 64 mm

**TECHNICAL CHARACTERISTICS**

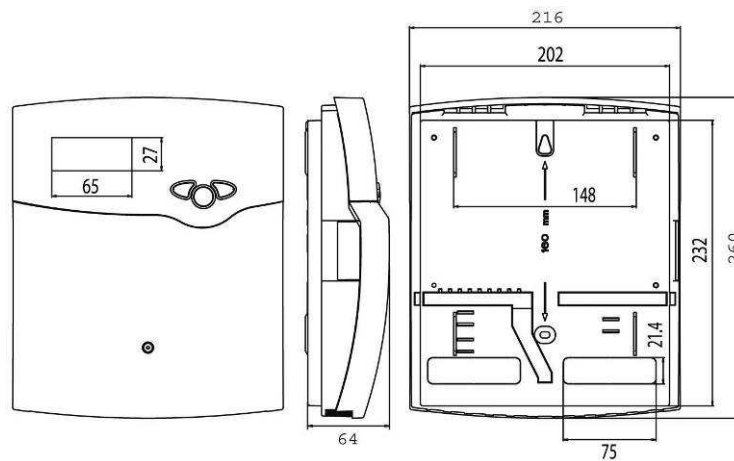
<b>INPUTS</b>	15 in total: 12 temperature sensors Pt 1000; 2 Flowmeters; 1 solar cell
<b>OUTPUTS</b>	9 in total: 4 standard relays; 4 semi-conductor relays; 1 potential-free relay (4 A)
<b>DISPLAY: SYSTEM MONITORING</b>	4-digit LC-text display (illuminated), menu-driven (multilingual), 2-coloured LED
<b>POWER SUPPLY</b>	210 – 250 V ~, 50 – 60 Hz
<b>FUSE:</b>	6.3 A
<b>IMPULSE VOLTAGE</b>	2.5 kV
<b>FUNCTIONS</b>	Function control (manual, automatic, programmable off) 7 basic systems selectable Multiple programmable options Collector cooling Max. collector T. limit. max. store T. limit. (2 - 95° C) Limit collector T. (110 - 190° C) Pump speed regulation Heat balancing Antifreeze function (-10 / 10° C) Operating hours counter Priority charge function (water tank)
<b>ASIGNATION OF TEMP. DIFF.</b>	Free
<b>FAULT LOCALIZATION</b>	Diagnostic function



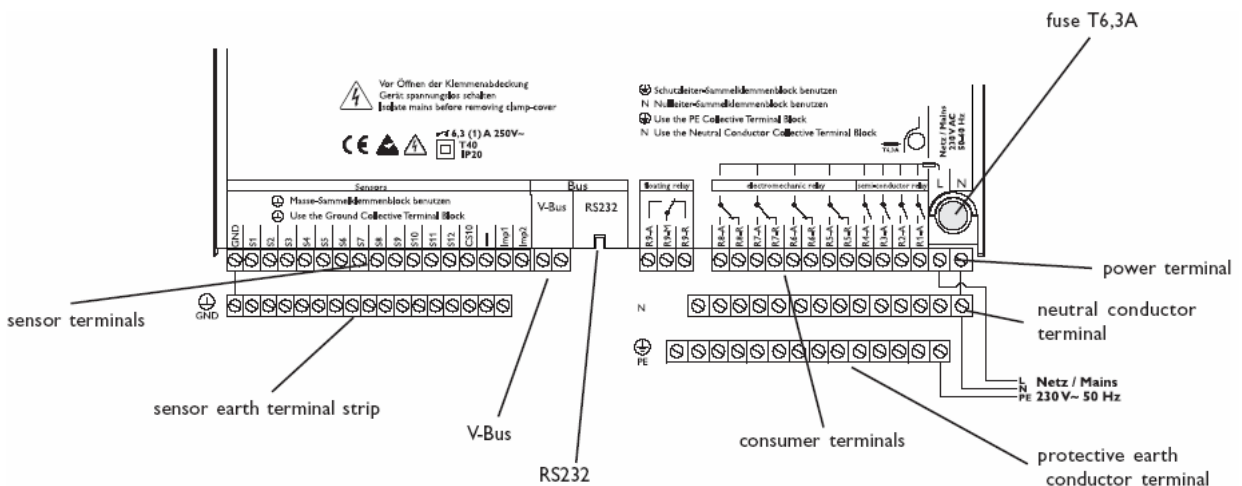
## OTHERS

FLOWMETERS CONNECTIONS	2
RADIATION CONNECTION	Yes
INTERFACE	RS 232 and BUS
CALORIMETERS	2 integrated

## SIZE



## ELECTRICAL CONNECTION



## REMARKS

- Includes controller with bag with accessories: 6 extra fuses (3A), condenser, screws, plugs and 6 temperature sensors.
- Guarantee: 2 years.
- All specifications are subject to change without prior notice. For further details, please visit [www.isofoton.com](http://www.isofoton.com)